

SOUTH

ET/ETL SERIES

ELECTRONIC/LASER THEODOLITE





L/R

Press the key ,
horizontal angle option.

HOLD

Press the key twice ,
hold the horizontal angle.

OSET

Press the key twice ,
horizontal angle 0 setting.

FUNC

Select the second function

V/%

Vertical angle /slope angle
percentage.

⏻

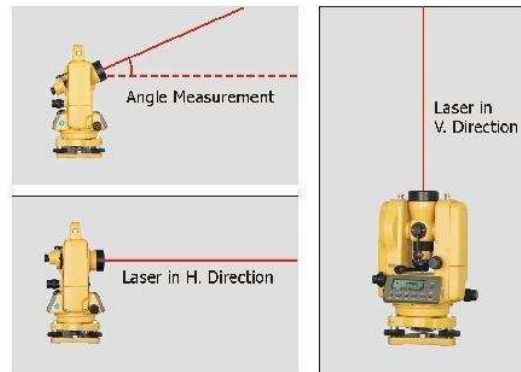
Power switch



SPECIFICATIONS

	ET-02/ET-02L	ET-05/ET-05L	ET-10
TELESCOPE			
Image	Erect		
Magnification	30X		
Effective aperture	45mm		
Resolving power	3"		
Field of view	1' 30"		
Minimum focusing distance	1.4m		
Stadia ratio	100		
Stadia constant	0		
Tube length	157mm		
ANGLE MEASUREMENT			
Reading system	Absolute Encoding		
Diameter of circle(VHz)	79mm		
Minimum reading	1"/5" (Selectable)		10"
Accuracy	2"	5"	10"
Horizontal angle	Dual	Dual	Dual
Vertical angle	Dual	Single	Single
DISPLAY			
(LCD)Display type	2 sides		
LEVEL SENSITIVITY			
Plate level	30"/2mm(30" per 2mm)		
Circular level	10"/2mm (10' per 2mm)		
AUTO VERTICAL COMPENSATOR			
System	Liquid-electric detection		
Working range	± 3"		
Accuracy	1"		
OPTICAL PLUMMET TELESCOPE			
Image	Erect		
Magnification	3X		
Focusing range	0.5m ~ ∞		
Field of view	5°		
PHYSICAL CHARACTERISTICS			
Operating temperature	-20°C ~ -45°C		
Internal power supply	Rechargeable Ni-H battery/ AA battery		
Voltage	6 VDC		
Operating time	10 hours		
Dimension	L145mm x H318mm x W179mm		
Weight	5.2 kg		

ETL SERIES LASER THEODOLITE



ACCESSORIES

NP-10 AA Battery Case	NB-10 Rechargeable Battery	NC-10 Battery Charger
(EU/US/JP/UK/UL Type chargers available)		
NF-10 Solar Filter	NE-10 Diagonal Eyepiece	
Mainframe	1x	
Rechargeable Battery	1x	
Battery Charger	1x	
Operation Manual	1x	
Carrying Case	1x	
Belt for Case	2x	
Plummet	1x	
Tools Kit	1x	

ALFA TOPOGRAFIA, .S.A. DE C.V.
 MANZANILLO 27
 COL. ROMA, MEXICO, D.F.
 C.P. 06700
 LADA SIN COSTO 01-800-6-54-05-76